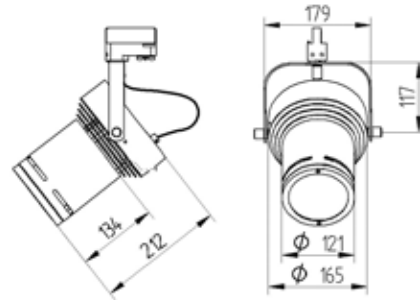


FORTIMO SPOT SLM

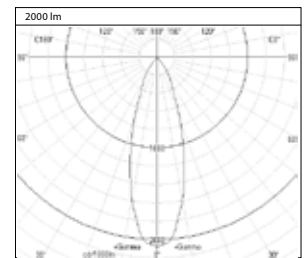


Track mounted spot lamp for SLM LED module. Body is made of steel and aluminium. All RAL colours are available.



Index no.	Lamp	Weight
0000-002964.117E	EVG, 1x17W Fortimo LED SLM module 1100lm/830	1,95 kg
0000-002964.117E/1	EVG, 1x17W Fortimo LED SLM module 1100lm/835	1,95 kg
0000-002964.115E	EVG, 1x15W Fortimo LED SLM module 1100lm/840	1,95 kg
0000-002964.120E	EVG, 1x20W Fortimo LED SLM module 1500lm/830	1,95 kg
0000-002964.120E/1	EVG, 1x20W Fortimo LED SLM module 1500lm/835	1,95 kg
0000-002964.119E	EVG, 1x19W Fortimo LED SLM module 1500lm/840	1,95 kg
0000-002964.132E	EVG, 1x32W Fortimo LED SLM module 2000lm/830	1,95 kg
0000-002964.132E/1	EVG, 1x32W Fortimo LED SLM module 2000lm/835	1,95 kg
0000-002964.129E	EVG, 1x29W Fortimo LED SLM module 2000lm/840	1,95 kg

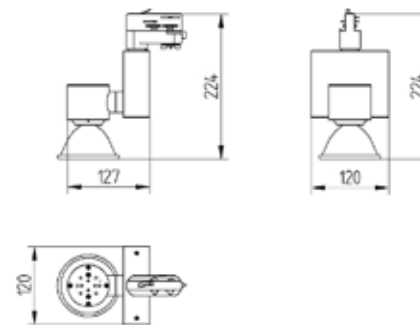
Touch & DALI ballast is also available - please add TD after index no.



G - MINI



Track mounted spot lamp for CDM-Tm or CDM-TC lamp. Body is made of steel and aluminium. All RAL colours are possible.



Index no.	Lamp	Weight	Socket
0000-003044.120E	EVG, 1x20W CDM-Tm Elite	0,95 kg	GU6,5
0000-003044.135E	EVG, 1x35W CDM-Tm Elite	0,95 kg	GU6,5
0000-003044.150E	EVG, 1x50W CDM-Tm Elite	0,95 kg	GU6,5
0000-003044.135E/1	EVG, 1x35W CDM-TC	0,95 kg	G8,5
0000-003044.150E/1	EVG, 1x50W CDM-TC	0,95 kg	G8,5

