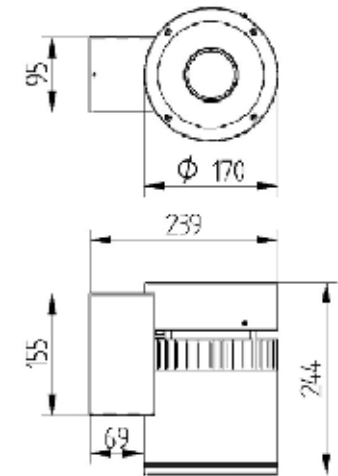


# FORTIMO WALL 170 DN



Wall mounted IP54 luminaire for Fortimo LED DLM module. Body is made of steel and aluminium. All RAL colours are available.



Index no.	Lamp	Weight
0000-003279.1100/830	EVG, 1x12W/830, 1100 lm Fortimo LED DLM	2,55 kg
0000-003279.1100/835	EVG, 1x11W/835, 1100 lm Fortimo LED DLM	2,55 kg
0000-003279.1100/840	EVG, 1x11W/840, 1100 lm Fortimo LED DLM	2,55 kg
0000-003279.2000/830	EVG, 1x24W/830, 2000 lm Fortimo LED DLM	2,55 kg
0000-003279.2000/835	EVG, 1x23W/835, 2000 lm Fortimo LED DLM	2,55 kg
0000-003279.2000/840	EVG, 1x22W/840, 2000 lm Fortimo LED DLM	2,55 kg
0000-003279.3000/830	EVG, 1x44W/830, 3000 lm Fortimo LED DLM	2,55 kg
0000-003279.3000/840	EVG, 1x41W/840, 3000 lm Fortimo LED DLM	2,55 kg

