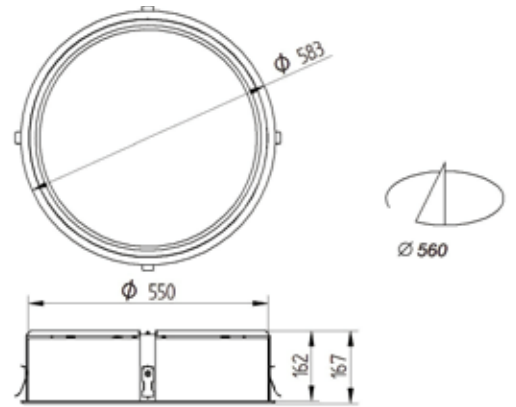


Recessed luminaire for circular T5 lamp. Body is made of steel and aluminium and is available in different RAL colours. Diffusor - opal, the level of diffusor can be regulated.



DL 580

Index no.	Lamp	Weight	Socket
0000-002843.160E	EVG, 1x60W T5	3,60 kg	2GX13

