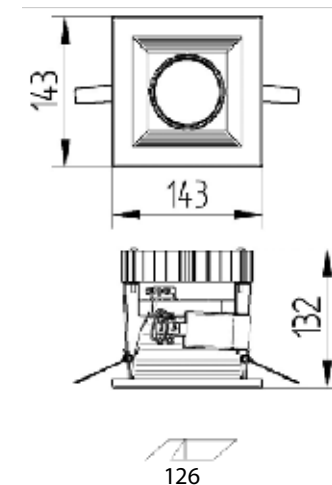


# DLK 140 FORTIMO TWIST



Recessed LED luminaire. Body is made of steel, reflector of aluminium. Available in all RAL colours. Superior-quality white LED light, integrated driver. Dimmable via trailing edge dimming. Light source - Philips Fortimo Twist 1100lm / CRI 80 / 2700,3000, 4000K. Long lifetime from 25.000 hrs to 50.000 hrs. Optional IP44 ring with clear or mat glass on request.



Index no.	Lamp	Weight
0000-003305.1100/830	EVG, 1x18W/830, 1100 lm	0,85kg
0000-003305.1100/840	EVG, 1x20W/840, 1100 lm	0,85 kg

